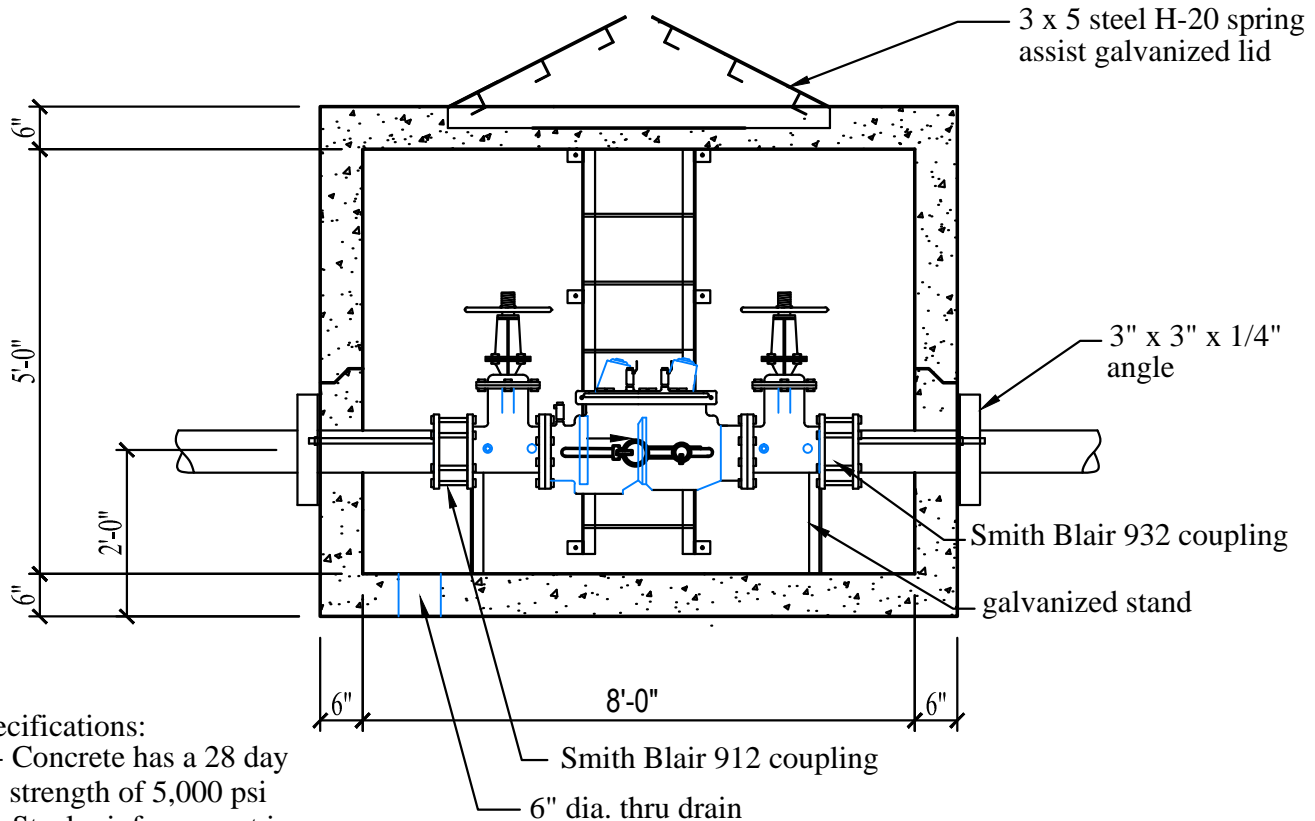
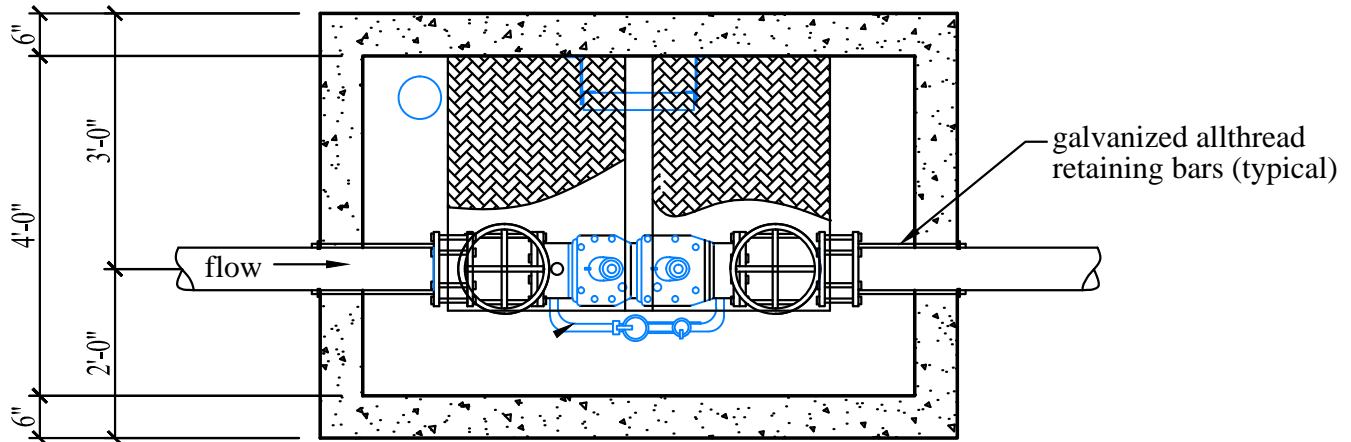


6" Watts 709 Double Check Detector Assembly in 4'x8'x5' Vault



Specifications:

- Concrete has a 28 day strength of 5,000 psi
- Steel reinforcement is ASTM A615 grade 60
- Load design is H-20

Notes:

- Consult manufacturer before handling



CAPITAL PRECAST, INC.

6905 SOUTH OLD BASTROP HWY
 SAN MARCOS, TEXAS 78666
 PH. (830) 606-6200

FOR **6" Watts 709 DCDA in 4'x8'x5' Vault**

JOB

DRAWN

RW

DATE

12/1/2015

Rev. No.

SHEET

FILE

catalog/backflow assembly/

1 OF 1