

# 5' x 5' x Variable Area Inlet

## Table Top

Opening/Ring & Cover per Job  
(24" Ring & Cover Depicted)

Height: 12"

Walls: 6"

Approximate

Weight : 2,754 lbs

## Standard Risers(s)

Height: 1' → 5.5'  
(In 6" Increments)

Walls: 6"

Approximate

Weight : 1661 lbs/ft  
(Per Vertical Foot)

## Standard Base w/ T.W.K.O.

Height: 5.5' I.D.

Walls: 6"

Floor: 6"

Approximate

Weight : 8,890 lbs at 5.5' I.D.

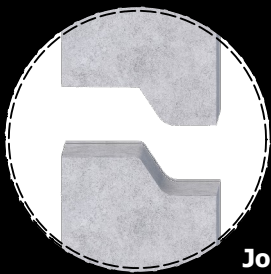
## Thin Wall Knockouts

Dimensions: 60"

Depth: 4"

Location: All Four Walls

(Special Base with Holes  
as Requested Available)

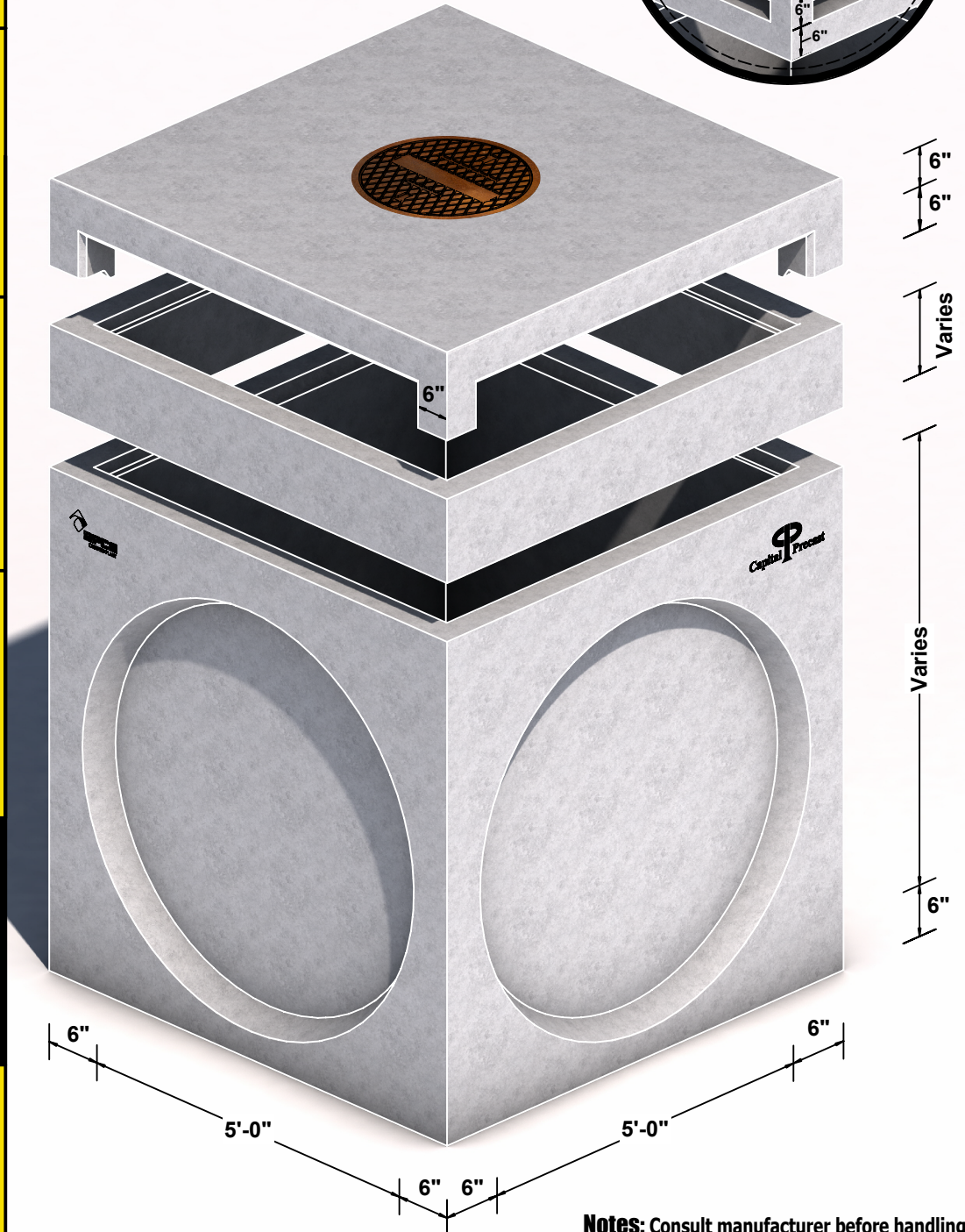
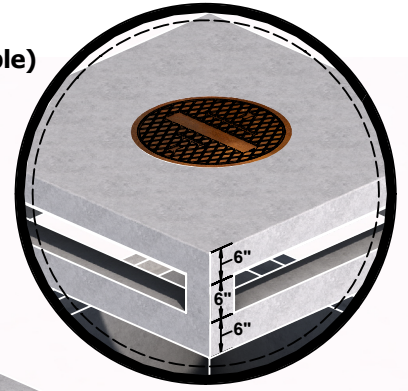


Joint Detail

## Specifications:

- Concrete has a 28 day strength of 5,000 psi
- Steel reinforcement is ASTM A615 grade 60
- Load Design is AASHTO HS20-44

18" Table Top  
(Option Available)



6905 South Old Bastrop Hwy  
San Marcos Texas, 78666  
PH: (830) 606-6200  
capitalprecastllc.com

## 5' x 5' x Variable Area Inlet

Job:

Drawn:

JJ

Rev:

Date:

4/21/2026