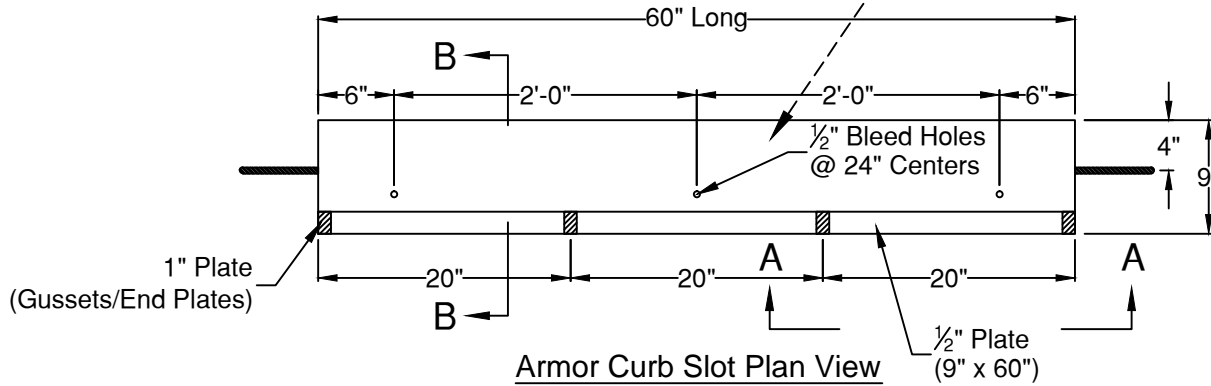
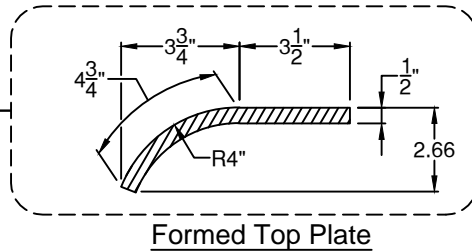
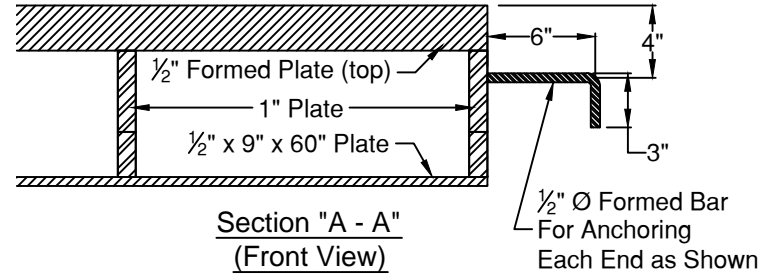
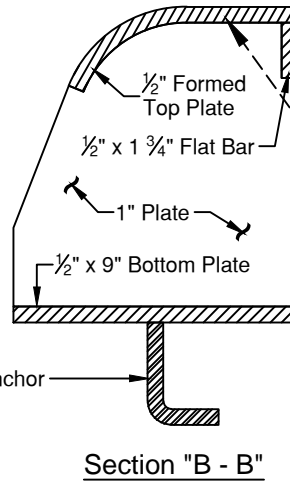
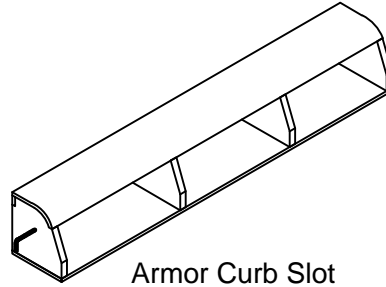
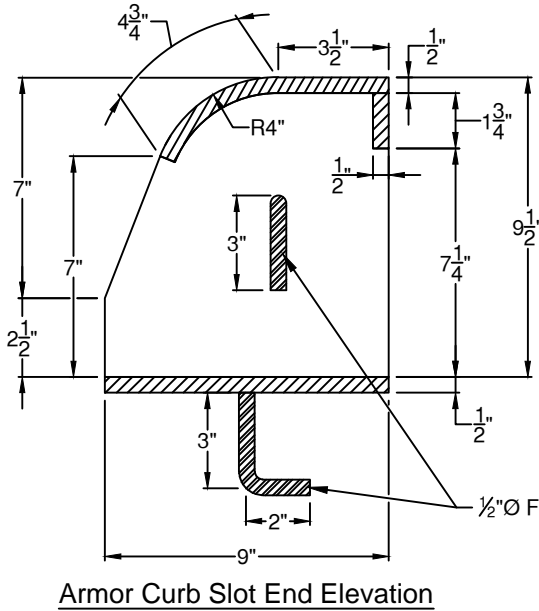


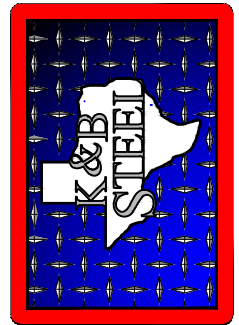
Hot Dip Galvanized

5'-0" Armor Curb Slot



Note:
 1. ASTM A-36
 Steel Construction
 2. Hot Dip Galvanized
 (ASTM A 123/ A)

Galvanized Steel Curb Armor
 5'-0" Armor Curb Slot
 K&B Steel
 E-Mail: kbsteel@valornet.com
 525 Industrial Blvd. Clarksville, Texas 75426
 Phone: (903) 427-3980 FAX: (903) 427-5817



(Date: 05-07-19)