

4' x 4' x Variable Area Inlet

Table Top

Opening/Ring & Cover per Job
(24" Ring & Cover Depicted)

Height: 12"

Walls: 6"

Approximate

Weight : 1,782 lbs

Standard Risert(s)

Height: 1' → 5'
(In 6" Increments)

Walls: 6"

Approximate

Weight : 1337 lbs/ft
(Per Vertical Foot)

Standard Base w/ T.W.K.O.

Height: 4.5' & 5' I.D.

Walls: 6"

Floor: 6"

Approximate

Weight : 6,740 lbs at 5' I.D.

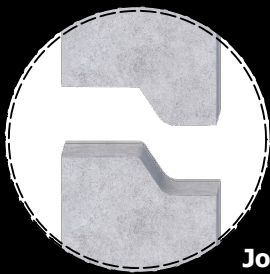
Thin Wall Knockouts

Dimensions: 48"

Depth: 4"

Location: All Four Walls

(Special Base with Holes
as Requested Available)

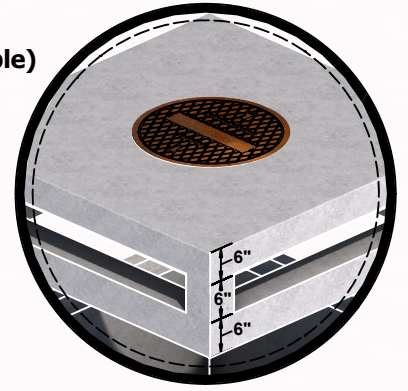


Joint Detail

Specifications:

- Concrete has a 28 day strength of 5,000 psi
- Steel reinforcement is ASTM A615 grade 60
- Load Design is AASHTO HS20-44

18" Table Top
(Option Available)



Notes: Consult manufacturer before handling



6905 South Old Bastrop Hwy
San Marcos Texas, 78666
PH: (830) 606-6200
capitalprecastllc.com

4' x 4' x Variable Area Inlet

Job:

Drawn:

JJ

Rev:

Date:

4/21/2026