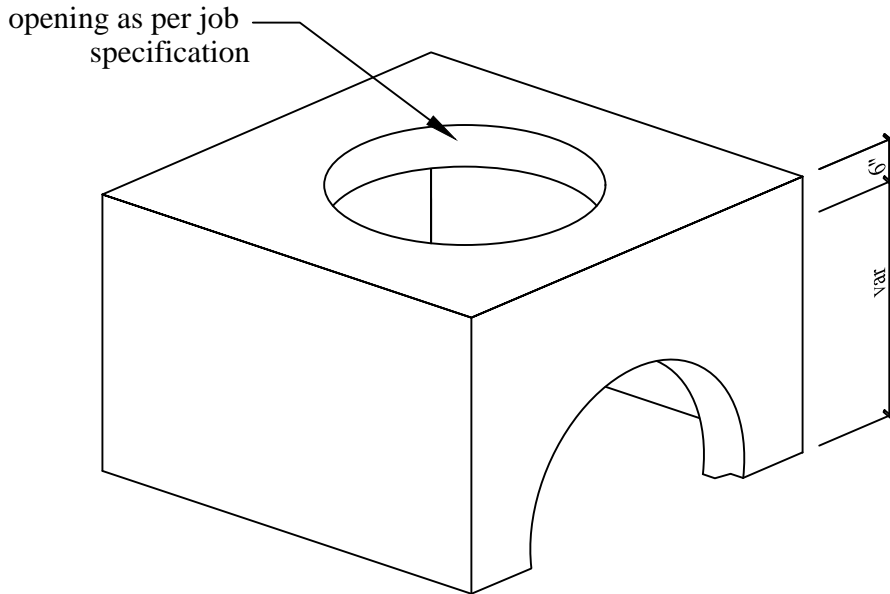
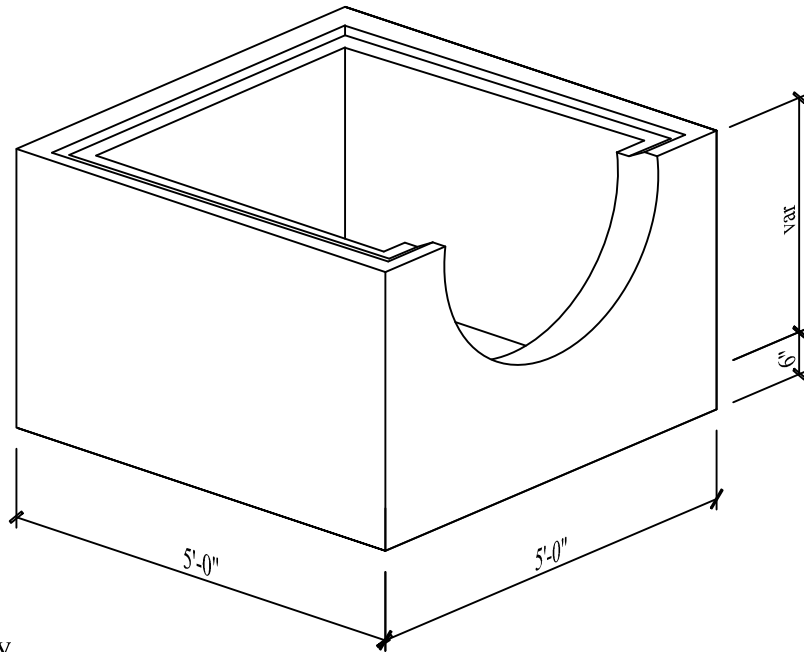


4' x 4' x var Junction Box



Bottom Section
knockouts as requested



Approximate weight
of base: 6,000 lbs
at 3'-0" height

Specifications:

- Concrete has a 28 day strength of 5,000 psi
- Steel reinforcement is ASTM A615 grade 60
- Load design is H-20

Notes:

- Consult manufacturer before handling
- The structure shall be placed on a compacted granular base



CAPITAL PRECAST, INC.

6905 SOUTH OLD BASTROP HWY
SAN MARCOS, TEXAS 78666
PH. (830) 606-6200

FOR 4' x 4' x var' Junction Box

JOB

DRAWN

EJ

DATE

04/21/2016

Rev. No.

SHEET

FILE

catalog/junction boxes/4x4-2piece

1 OF 1