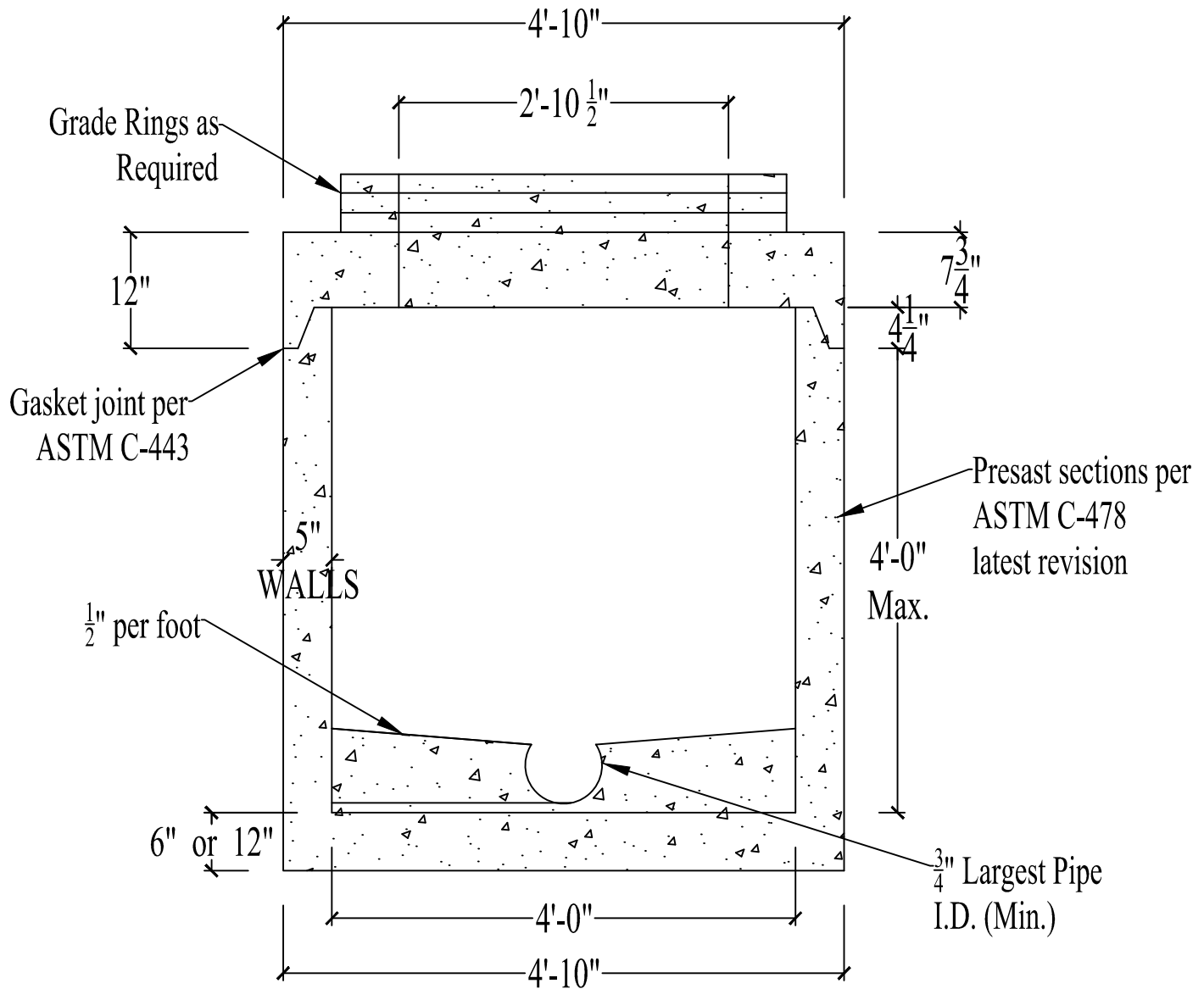


48" Dia. Precast Manhole with Base and Flat Top



GENERAL NOTES:

- All concrete to have 28 day compressive strength of 5,000psi.
- Reinforcing steel shall comply with ASTM A615 Grade 60.
- Bar bending and placement shall comply with latest ACI standards.
- Design based on AASHTO HS 20 loading.

CONSULT MANUFACTURER
BEFORE HANDLING



CAPITAL PRECAST, INC.

6905 SOUTH OLD BASTROP HWY
SAN MARCOS, TEXAS 78666
PH. (830) 606-6200

FOR 48" Dia. Manhole w/Base and Flat Top

JOB

DRAWN

DK

DATE

01/16/2020

Rev. No.

FILE

RemovableDisk(H:)/48diaPrecastManhole w/Baseand FlatTop.dwg