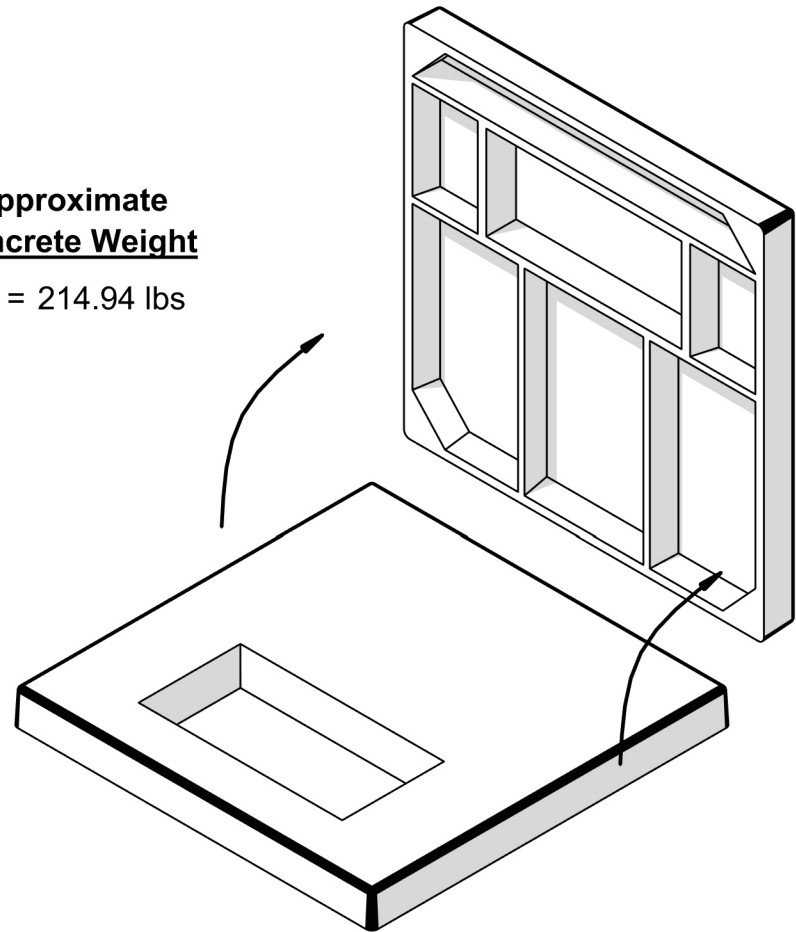


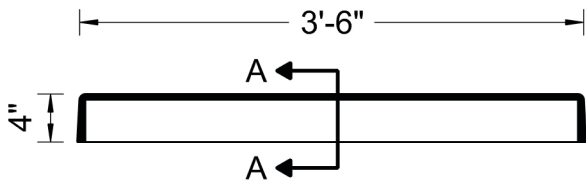
Plan View

**Approximate
Concrete Weight**

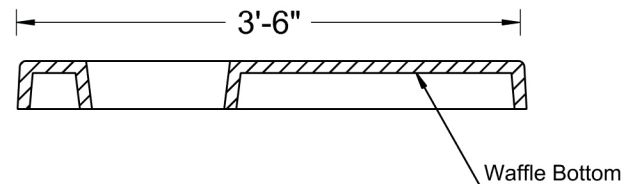
WT = 214.94 lbs



Isometric View



Profile View



Section A-A

Notes:

6905 S. Old Bastrop Hwy
San Marcos, Tx 78666

(830) 606-6200

capitalprecastinc.com



Title: Flat Pad with Waffle Bottom

Project:

Drawn: AC

File: S:\CAD-FILE-UPDATES\AC Models\PDF'S

Checked:

Date: 2/17/2024

Page: 1 of 1