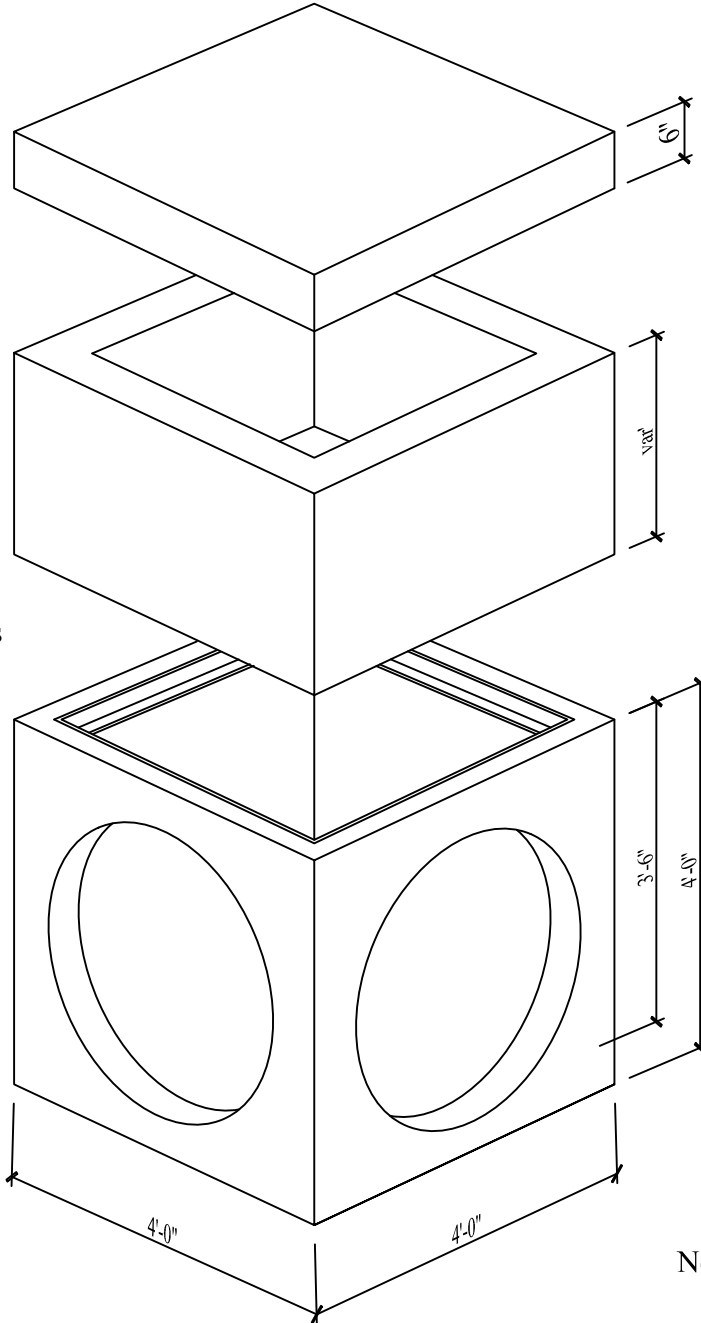


# 3' x 3' x var Junction Box



Bottom Section  
36" dia thinwall knockouts  
all four sides

Approximate weight  
of base: 4,100 lbs

**Specifications:**

- Concrete has a 28 day strength of 5,000 psi
- Steel reinforcement is ASTM A615 Grade 60
- Load design is H-20

**Notes:**

- The structure shall be placed on a compacted granular base
- Consult manufacturer before handling



**CAPITAL PRECAST, INC.**

6905 SOUTH OLD BASTROP  
SAN MARCOS, TEXAS 7866  
PH. (830) 606-6200

FOR 3' x 3' x var Junction Box

JOB

DRAWN

RW

DATE

8/22/2013

Rev. No.

SHEET

FILE

catalog/grate inlets/3x3 JB nolid

1 OF 1