

# 3' x 3' x Variable Area Inlet

## Table Top

Opening/Ring & Cover per Job  
(24" Ring & Cover Depicted)

Height: 12"

Walls: 6"

Approximate

Weight : 1,134 lbs

## Standard Risers(s)

Height: 1' → 4'  
(In 6" Increments)

Walls: 6"

Approximate

Weight : 1053 lbs/ft  
(Per Vertical Foot)

## Standard Base w/ T.W.K.O.

Height: 3.5' & 4' I.D.

Walls: 6"

Floor: 6"

Approximate

Weight : 4,295 lbs at 4' I.D.

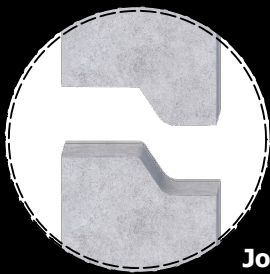
## Thin Wall Knockouts

Dimensions: 36"

Depth: 4"

Location: All Four Walls

(Special Base with Holes  
as Requested Available)

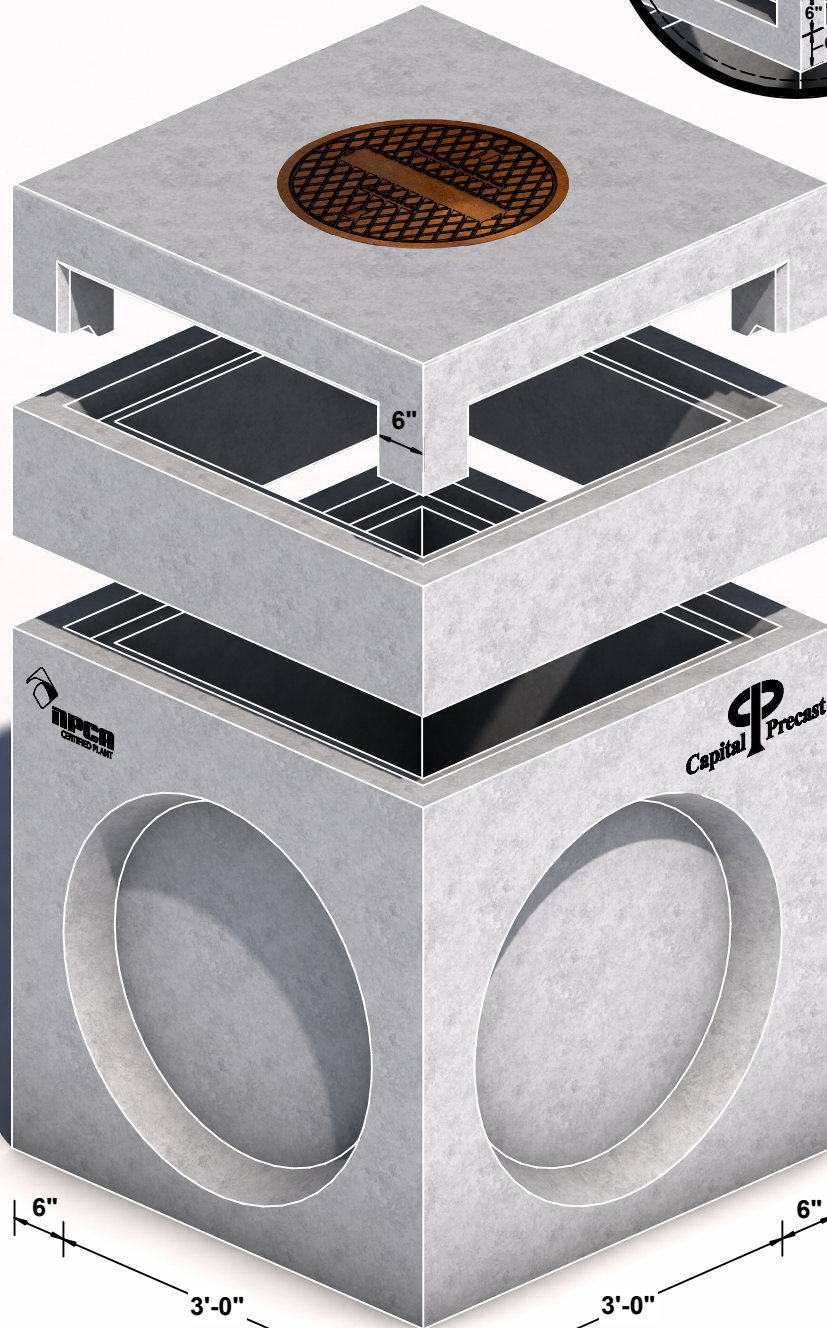
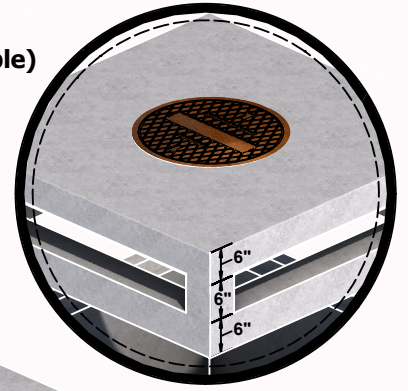


Joint Detail

## Specifications:

- Concrete has a 28 day strength of 5,000 psi
- Steel reinforcement is ASTM A615 grade 60
- Load Design is AASHTO HS20-44

18" Table Top  
(Option Available)



6"  
6"

Varies

Varies

6"

6" 6" 3'-0" 3'-0" 6" 6"

Notes: Consult manufacturer before handling



6905 South Old Bastrop Hwy  
San Marcos Texas, 78666  
PH: (830) 606-6200  
capitalprecastllc.com

## 3' x 3' x Variable Area Inlet

Job:

Drawn:

JJ

Rev:

Date:

4/21/2026