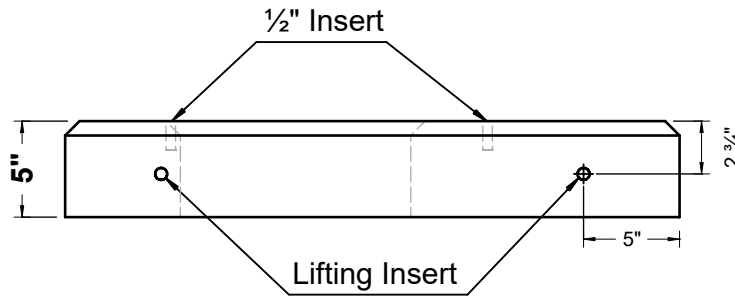
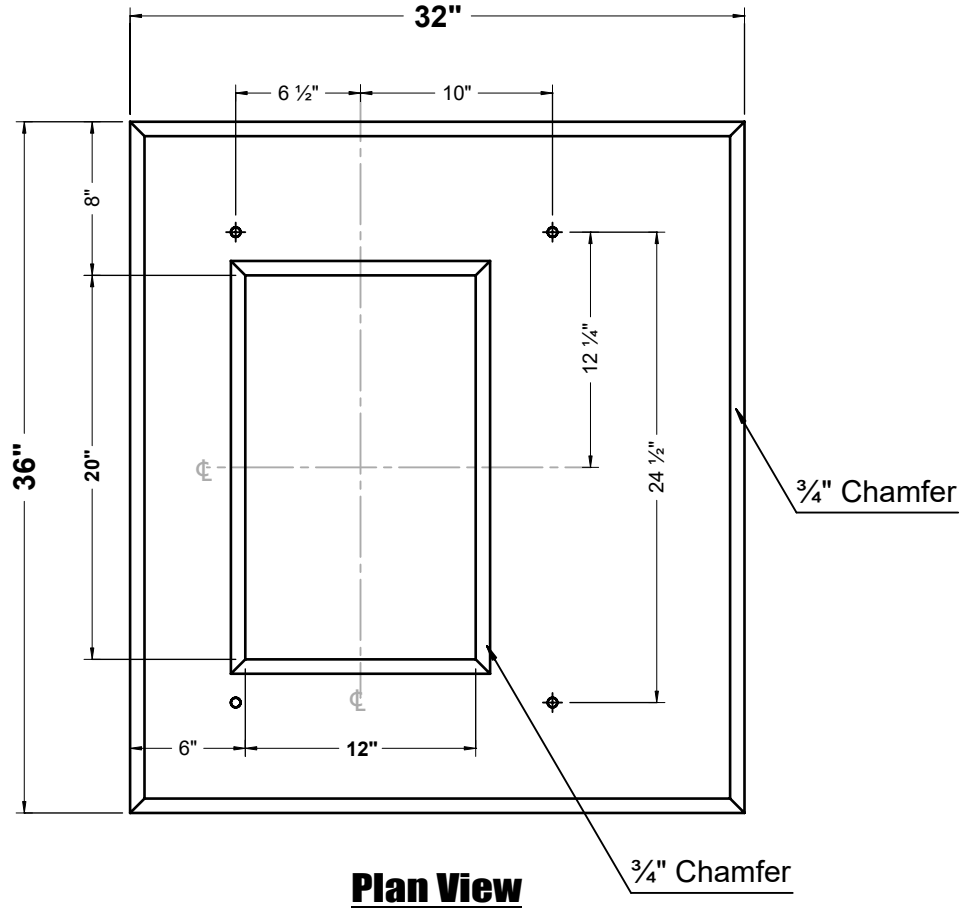


# 32" x 36" Pad



## Specifications:

- Concrete has a 28 day strength of 5,000 psi
- Steel reinforcement is ASTM A615 grade 60
- Load design is AASHTO HS20-44



6905 South Old Bastrop Hwy  
San Marcos Texas, 78666  
PH: (830) 606-6200  
capitalprecastinc.com

## 32" x 36" Pad

Job:

Drawn:

AC

Rev:

Date:

11/18/2024