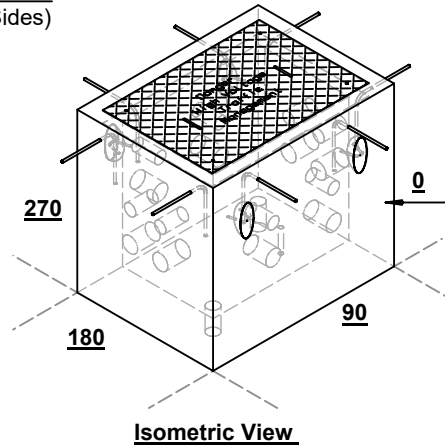
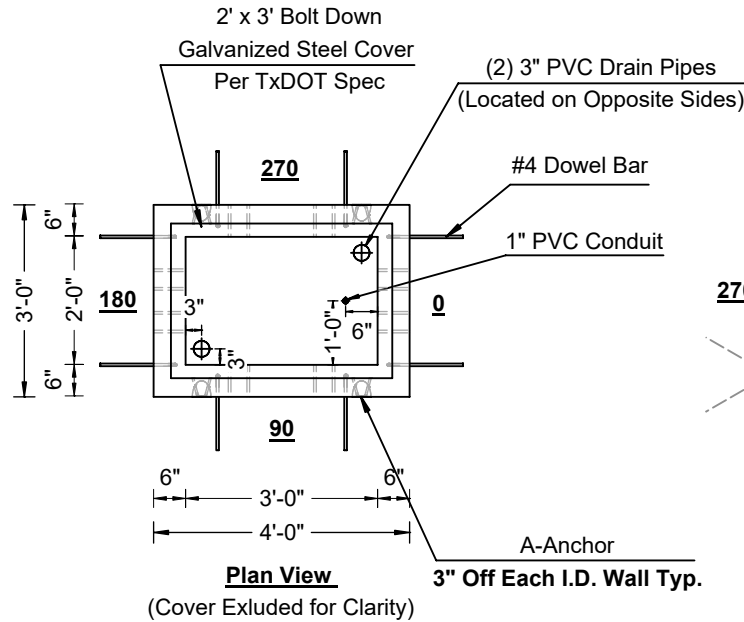


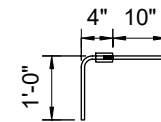
ITS Type 1 Box



Approximate Concrete Weight

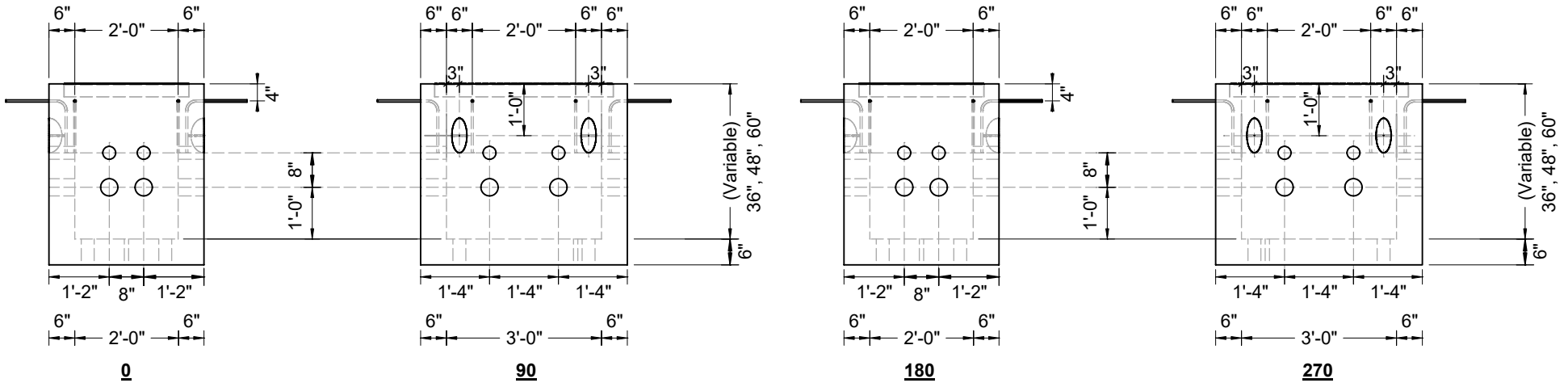
(3' Height)
WT = 3503.82 lbs

BOM	
QTY	Product
4	6CA18 Anchors
8	3" Terminators
8	4" Terminators



#4 Dowel Bar Detail
N.T.S

(2) 3" Terminators
(2) 4" Terminators
Per Each Wall



Specifications:

- Concrete has a 28 day strength of 5,000 psi
- Steel reinforcement is ASTM A615 grade 60
- Load design is H-20

6905 S. Old Bastrop Hwy
San Marcos, Tx 78666

(830) 606-6200

capitalprecastinc.com



Title: ITS Type 1 Box

Project:

Drawn: AC

File:

Checked:

Date: 6/5/2024

Page: 1 of 1