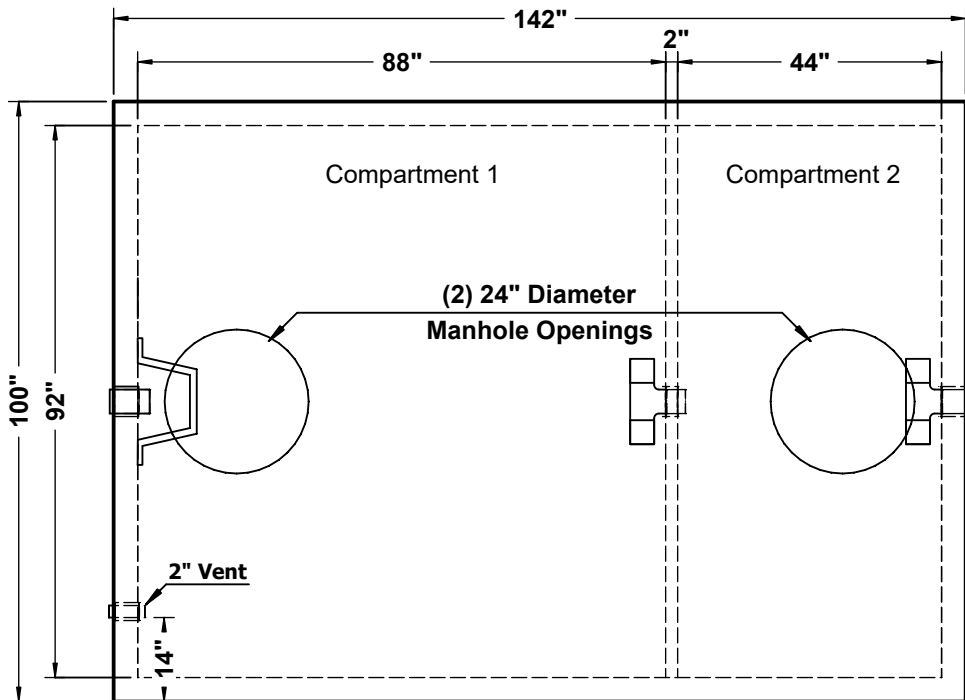


2500 Gallon Grease Interceptor



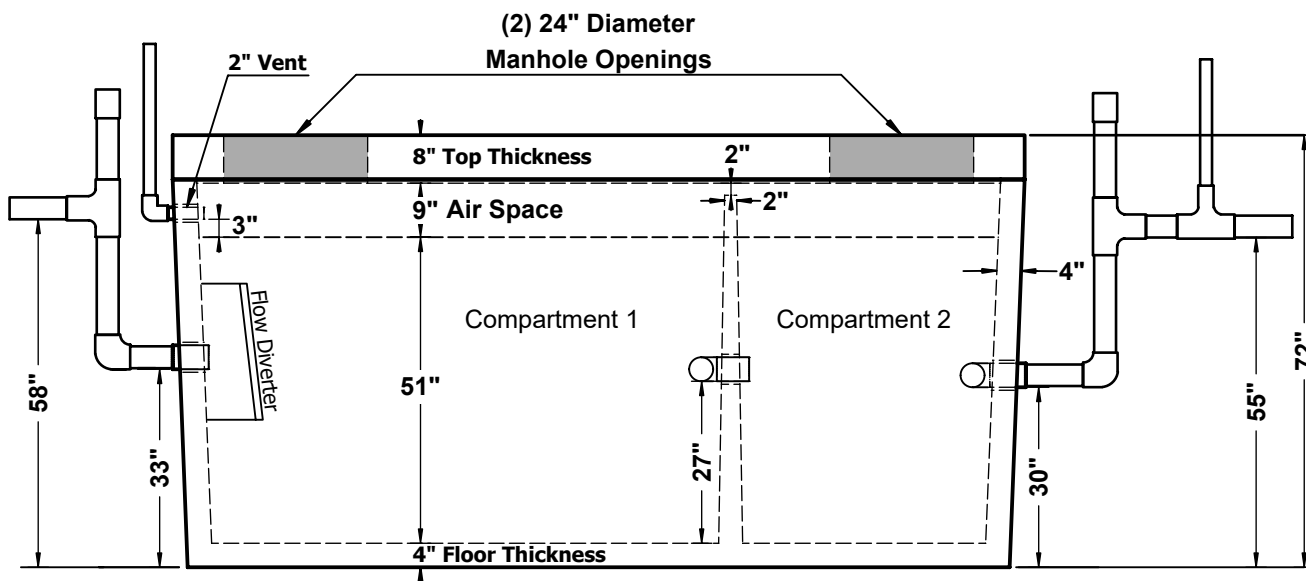
Plan View

STANDARD FEATURES:

- 5000 PSI CONCRETE
- GRADE 60 REINFORCING
- 8" TRAFFIC BEARING LID (AASHTO H-20 RATED)
- 4" WALLS AND FLOOR

WEIGHT (APPROXIMATE)

8" SLAB TOP 9,135 LBS
TANK 15,960 LBS



Profile View

Notes:

- ALLOW FOR MANHOLE AND COVER IN TOTAL HEIGHT
- STANDARD INLET/OUTLET FITTING ARE 4" BOOTS (6" AVAILABLE)
- MAXIMUM BURY DEPTH TO BOTTOM OF TANK: 10 FT.



6905 South Old Bastrop Hwy
San Marcos Texas, 78666
PH: (830) 606-6200
capitalprecastllc.com

2500 Gallon Grease Interceptor

Job:			
Drawn:	AC	Rev:	
Date:			4/29/2025