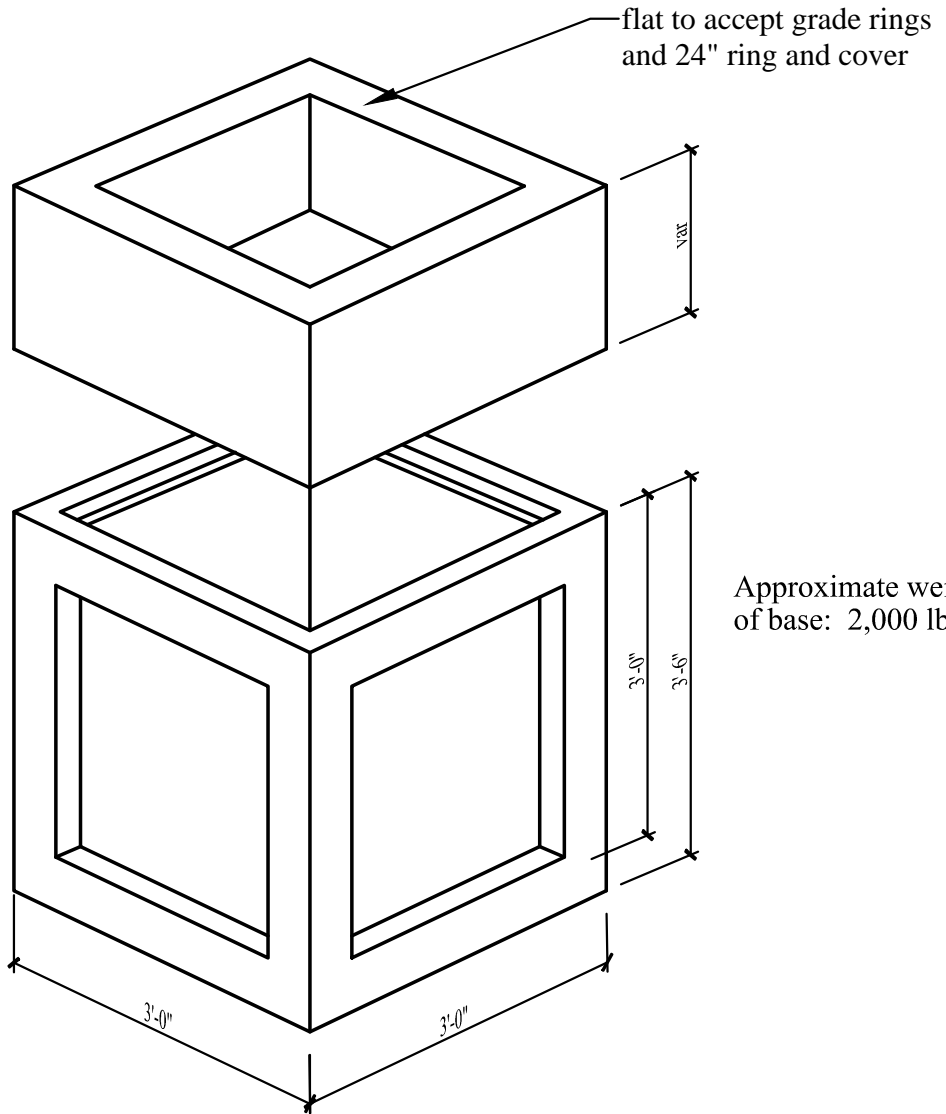


24" x 24" x var Junction Box



Bottom Section
 6" walls and floor
 24" x 28" thinwall knockouts
 all four sides

Approximate weight
 of base: 2,000 lbs

Specifications:

- Concrete has a 28 day strength of 5,000 psi
- Steel reinforcement is ASTM A615 grade 60
- Load design is H-20

Notes:

- Consult manufacturer before handling



CAPITAL PRECAST, INC.

6905 SOUTH OLD BASTROP HWY
 SAN MARCOS, TEXAS 78666
 PH. (830) 606-6200

FOR 24" x 24" x var Junction Box

JOB

DRAWN

RW

DATE

12/1/2015

Rev. No.

SHEET

FILE

catalog/junction boxes/24x24JB

1 OF 1