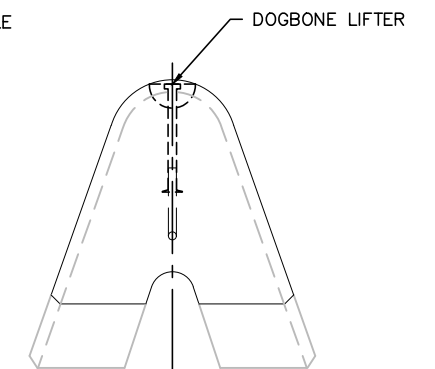
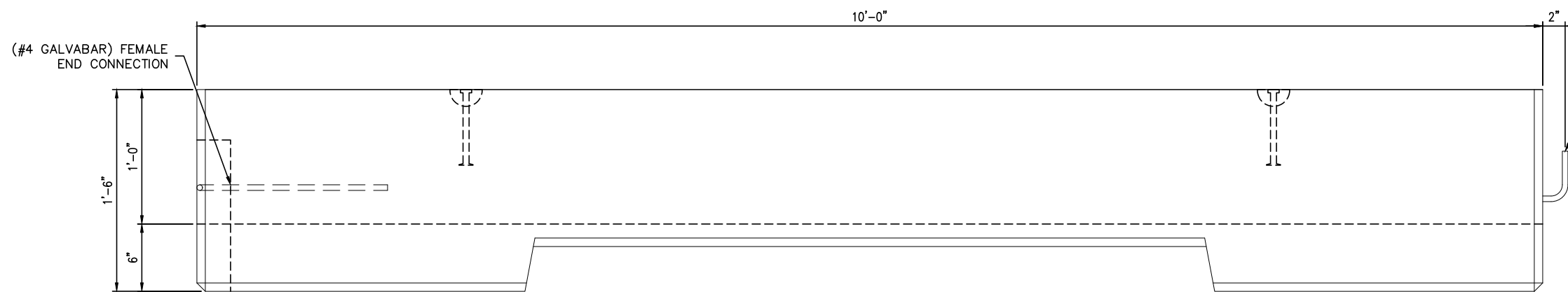
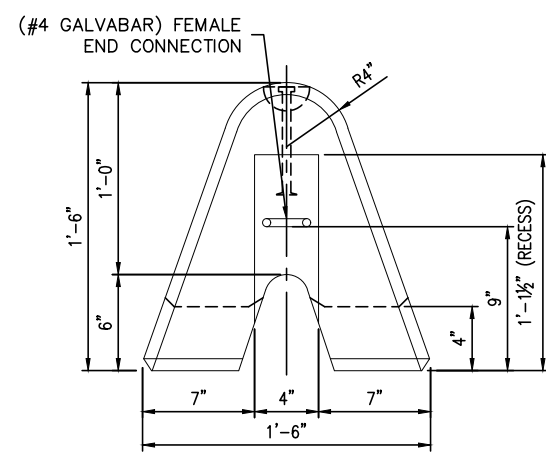


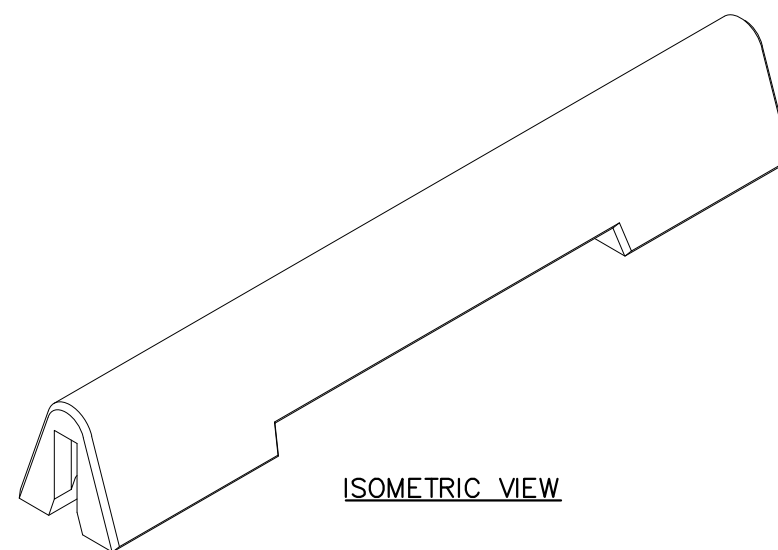
SECTION 1



SECTION 2



VIEW B



ISOMETRIC VIEW



14585 BRIGHTON ROAD
BRIGHTON, COLORADO

****PATENT PENDING****

"THIS DRAWING AND ALL ASSOCIATED DIMENSIONS AND DESIGNS ARE PROPRIETARY INFORMATION AND ARE THE PROPERTY OF SEMA PRECAST. NO REPRODUCTION ALLOWED WITHOUT CONSENT FROM SEMA PRECAST."

SAFE-T LANE
10' BIKE LANE DIVIDER

DRAWN	CHECKED	ENGINEERED	APPROVED	DATE	SHEET NO.
MDP	JKH	JKH	JJM	10/17/2023	1 OF 1
CLIENT: SEMA PRECAST					
DWG. FILE: Bicycle Curb.dwg					